

**COLOR SERVER FIERY  
ZX 3200/ZX3300  
PARTS CATALOG**

## **PARTS CATALOG**

### **INTRODUCTION**

This chapter instructs you the numbers and names of parts on this machine.

### **INDEX to PARTS CATALOG**

# **FIERY ZX 3200/3300**

# **(A747)**

**COLOR SERVER FIERY ZX (A747)**

## **PARTS CATALOG**

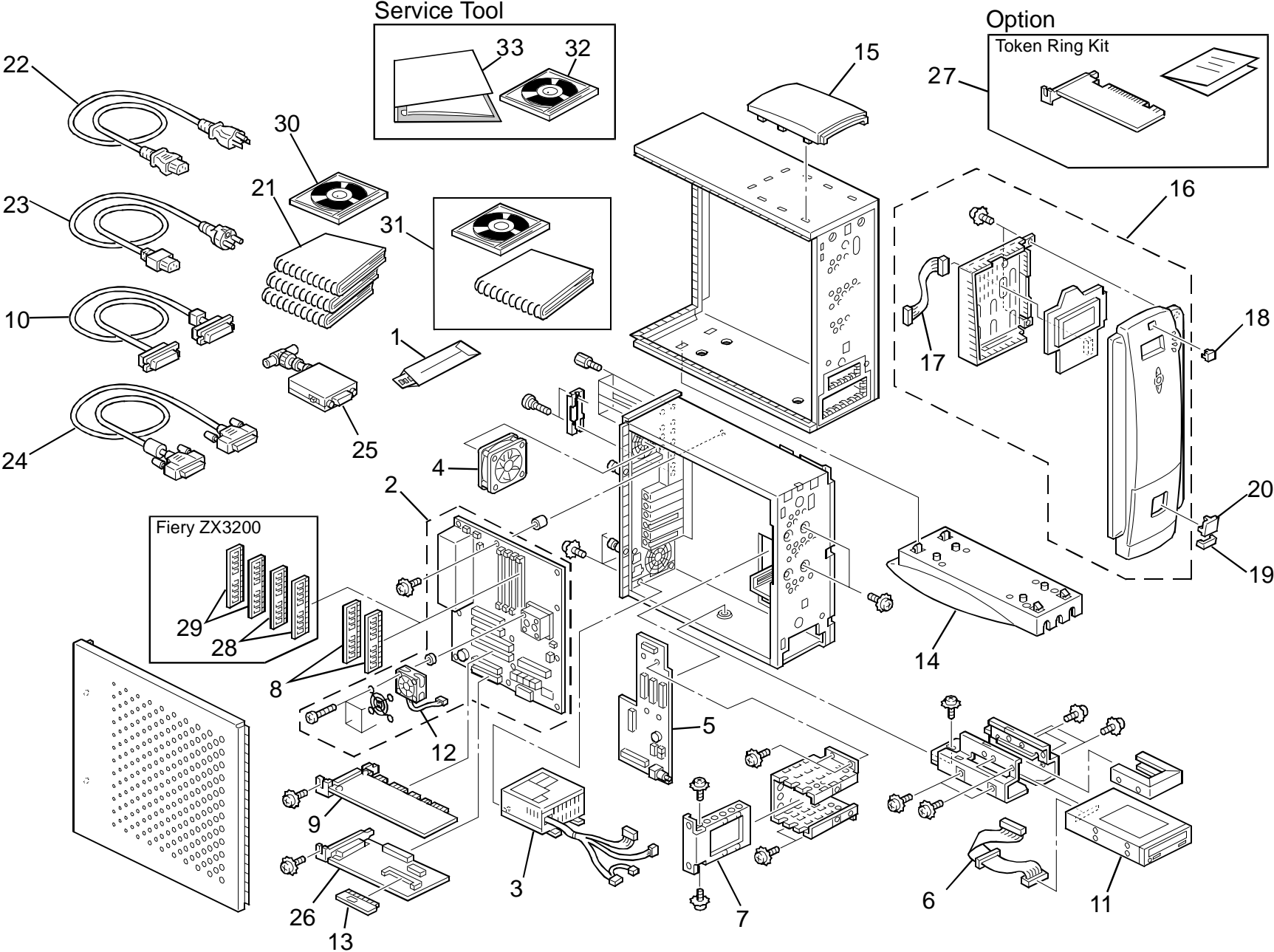
### **INTRODUCTION**

This chapter instructs you the numbers and names of parts on this machine.

### **INDEX to PARTS CATALOG**

1.FIERY ZX (A747) .....	2
<b>PARTS INDEX</b> .....	<b>5</b>

# 1.FIERY ZX (A747)





# **PARTS INDEX**

